



56-6XX

CLEAR-Pb[®] Mobile Barriers

User Manual

Fluke Biomedical

6045 Cochran Road
Cleveland, Ohio 44139
440.498.2564

www.flukebiomedical.com

Table of Contents

Section 1: General Information	1-1
1.1 Introduction	1-1
1.2 Components Supplied.....	1-2
Section 2: Operation	2-1
2.1 Assembly Procedure.....	2-1
2.2 Service and Repairs	2-3

(Blank page)

Section 1 General Information

1.1 Introduction

	Overall Size	Window Panel Lead Equiv.	Opaque Panel Lead Equiv.
Nuclear Medicine 56-602	61" H x 36" W	24" H x 36" W 0.8 mm	34" H x 36" W 1/16" (1.5 mm)
Regular 56-603	75" H x 30" W	24" H x 30" W 0.5 mm	48" H x 30" W min. 1/32" (0.8 mm)
Jumbo 56-604	75" H x 30" W	60" H x 30" W 0.5 mm	12" H x 30" W
Deluxe 56-616	75" H x 48" W	36" H x 48" W 0.5 mm	36" H x 48" W min. 1/32" (0.8 mm)
Deluxe 56-617	75" H x 48" W	36" H x 48" W 1.0 mm	36" H x 48" W 1/16" (1.5 mm)
Ultra 56-618	75" H x 72" W	36" H x 72" W 0.5 mm	36" H x 72" W min. 1/32" (0.8 mm)
Ultra 56-619	75" H x 72" W	36" H x 72" W 1.0 mm	36" H x 72" W 1/16" (1.5 mm)

Your CLEAR-Pb® Mobile Barrier is shipped to you disassembled, in compact cases designed to minimize shipping damage. Assembly is very simple. However, since the panels are heavy they should be handled by two people until fully assembled.

CAUTION

Do not remove the protective paper from the viewing panel until after installation. This will help keep the leaded plastic from being scratched during assembly.

1.2 Components Supplied

- 1 ea. CLEAR-Pb lead-plastic viewing panel
- 1 ea. opaque lower panel
- 4 ea. caster brackets
- 2 ea. locking casters and 2 ea. non-locking casters
- 1 set caster bracket mounting hardware (screws, washers and nuts)
- 1 set caster mounting hardware (hex bolts, washers and nuts)
- 2 ea. vertical side channels
- 1 ea. horizontal coupling channel (no holes)

Section 2 Operation

2.1 Assembly Procedure

- 2.1.1 To facilitate installing the caster brackets, lay the opaque lower panel flat on a table with the mounting holes extending over the table's edge (see Figure 2-1).

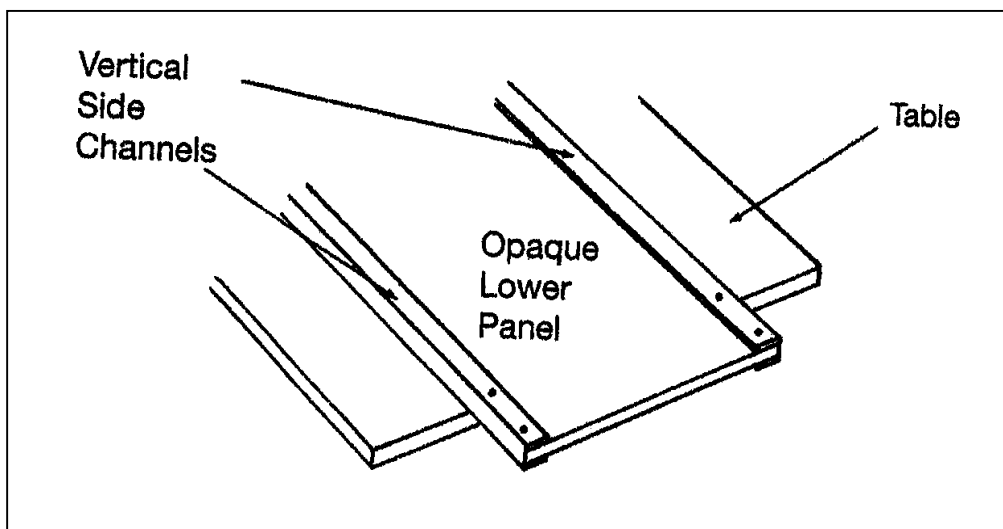


Figure 2-1. Caster Brackets Assembly

- 2.1.2 If the vertical side channels are not welded to the lower panel, position them over the edges as shown. The pre-drilled holes in the caster brackets and vertical side channels will line up with the holes in the lower panel. Using the supplied hardware (screws, washers and nuts), attach the brackets to the panel (see Figure 2-2).

NOTE

For maximum safety convenience, the locking casters should be on the same side of the panel (see Figure 2-2).

2.1.3 If the casters are not already attached to the brackets, attach them by lining up the holes in the brackets with those in the casters. Using the caster mounting hardware, (hex bolts, washers and nuts), attach them as shown in Figure 2-2.

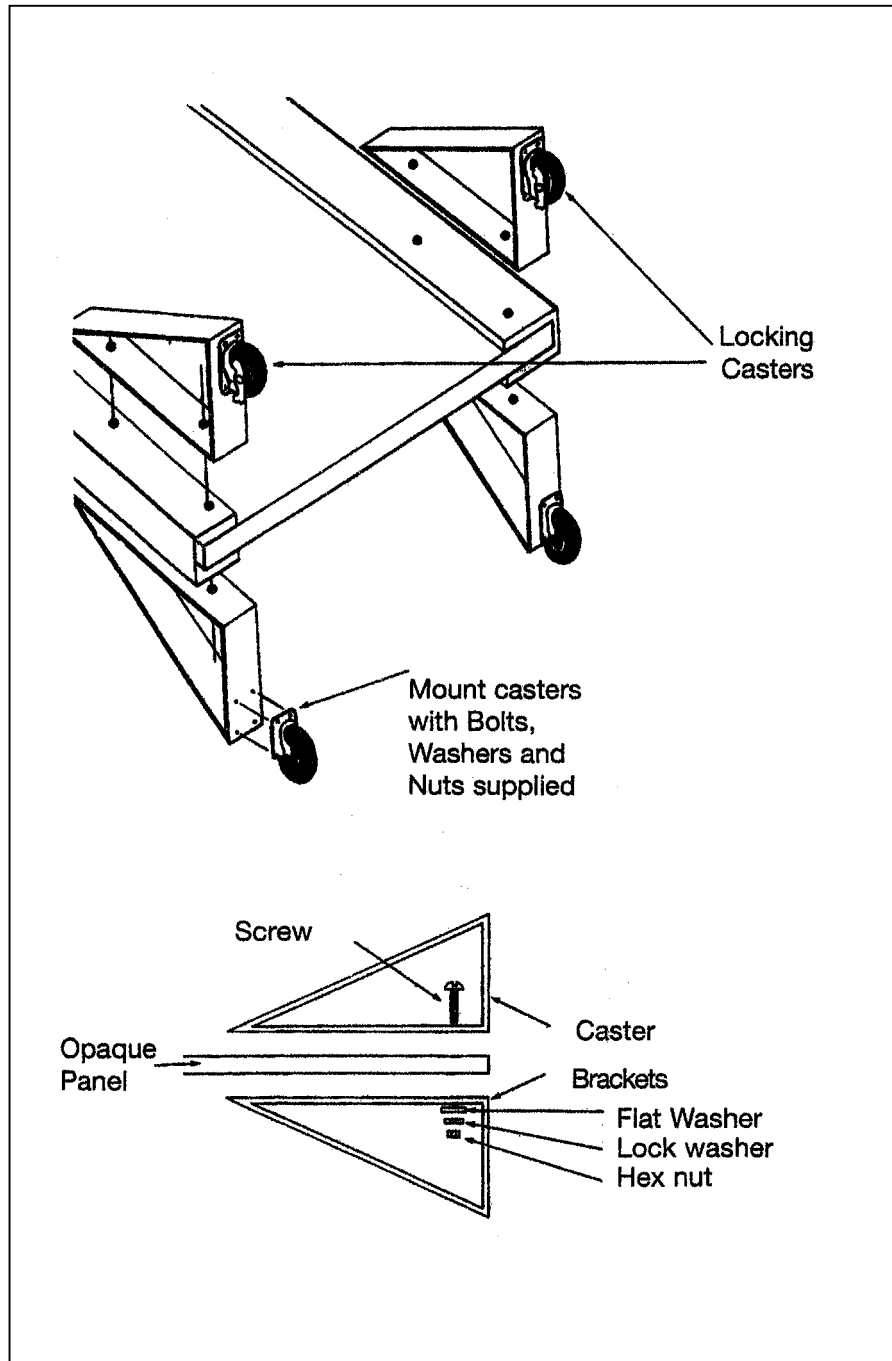


Figure 2-2. Brackets to Panel Assembly

- 2.1.4 Carefully lower the assembly to the floor in a vertical position. The barrier can now be moved about on its casters.
- 2.1.5 If it is not pre-welded to the panel, lay the horizontal coupling channel over the top edge of the opaque lower panel.
- 2.1.6 Now peel back the protective paper about two inches from the sides of the CLEAR-Pb lead-plastic viewing panel. Carefully slide the panel into the two upright channels. Once in place, remove the rest of the protective paper from the CLEAR-Pb panel.

The Mobile Barrier is now ready to use.



3.2 Service And Repairs

If your Mobile Barrier needs service or repairs, please contact Fluke Biomedical at 440.248.2564.

(Blank page)

(Blank page)

Fluke Biomedical

6045 Cochran Road
Cleveland, Ohio 44139
440.498.2564

www.flukebiomedical.com